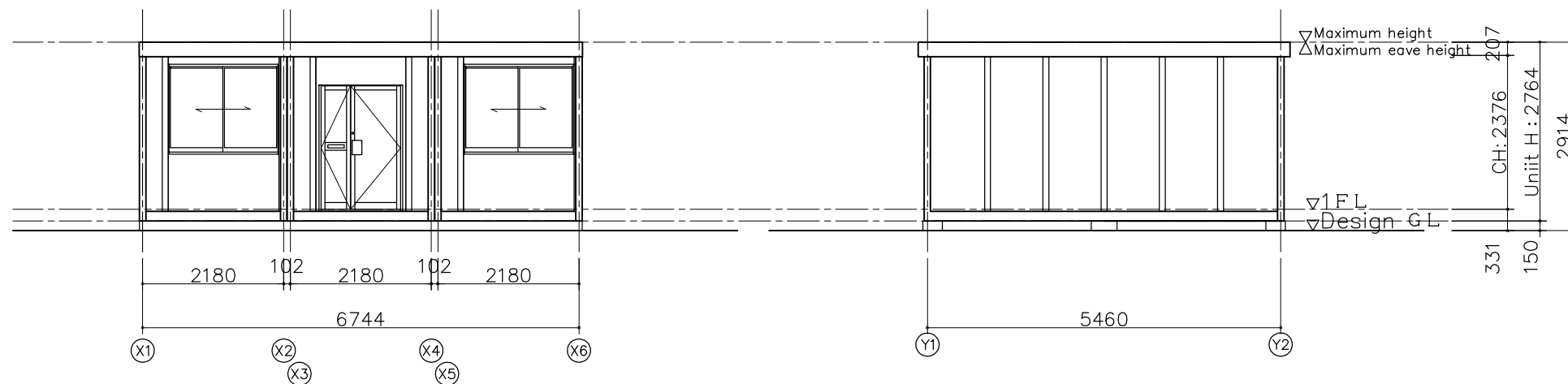


Floor Plan



(Y1) Elevation

(X6) Elevation

Specifications	
Size	L5560×W6844×H2764
Structure	Steel frame
Roof	Finish : Galvalume steel sheet t=0.35 Lock seam
	Underlay : Rubberized asphalt roofing t=1.2
	Roof board : Particle board t=12
External fittings	Aluminum sash
Canopy	None
Floor	Underlay : Plywood t=12+12
	Insulator : Styrene foam t=30
	Damp-proofing sheet t=0.15
	Finish : None
Exterior walls	Exterior finish : Colored steel sheeting t=0.27
Composite panels	Insulator : Styrene foam t=40
	Interior finish : Colored steel sheeting t=0.27
Ceiling	Coated plywood
	Insulator : Styrene foam t=30

Legend	
Symbol	Name
	Pipe fan φ100
	Air inlet φ75
	Fluorescent lighting
	Open-type embedded fixture

Fittings (Exterior)	
	Semi-double glass door (H1900)
	Sliding window (H1300)
 h=1882, w=1196, Clear5, w=748, h=521, ΔCL=800	 h=1290, w=1676, Clear3, h=629, ΔCL=800

Area Table		
Building area	6.744×5.460	36.82 m ²
Total floor area	6.744×5.460	36.82 m ²

※Measured in mm except for the specified.