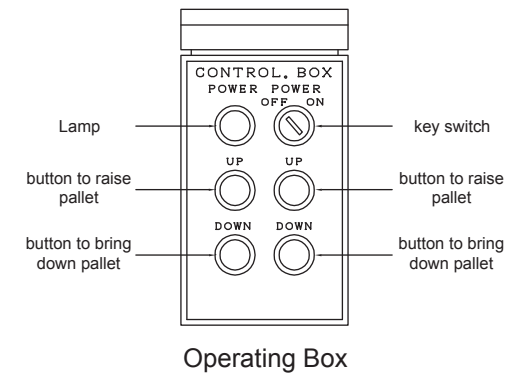
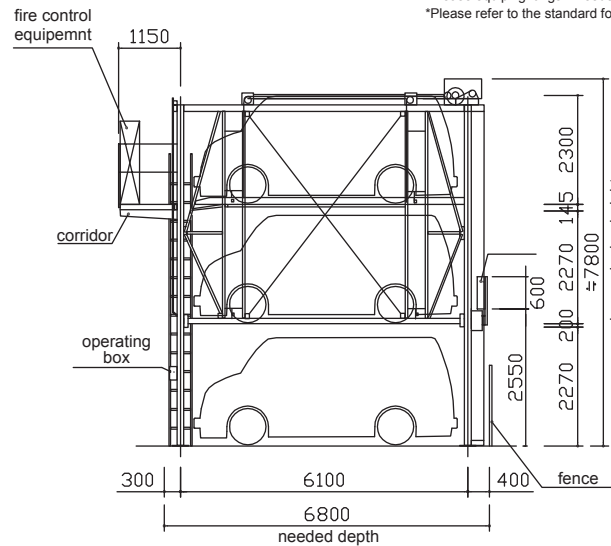
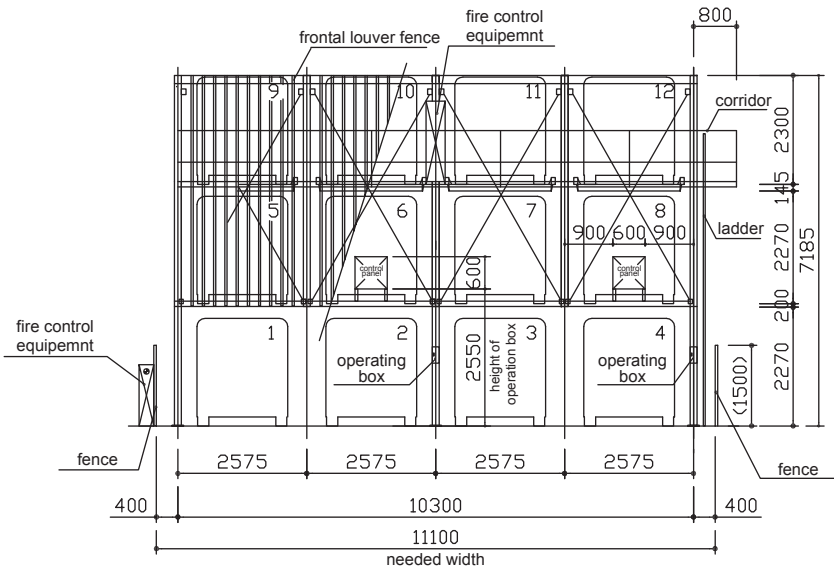


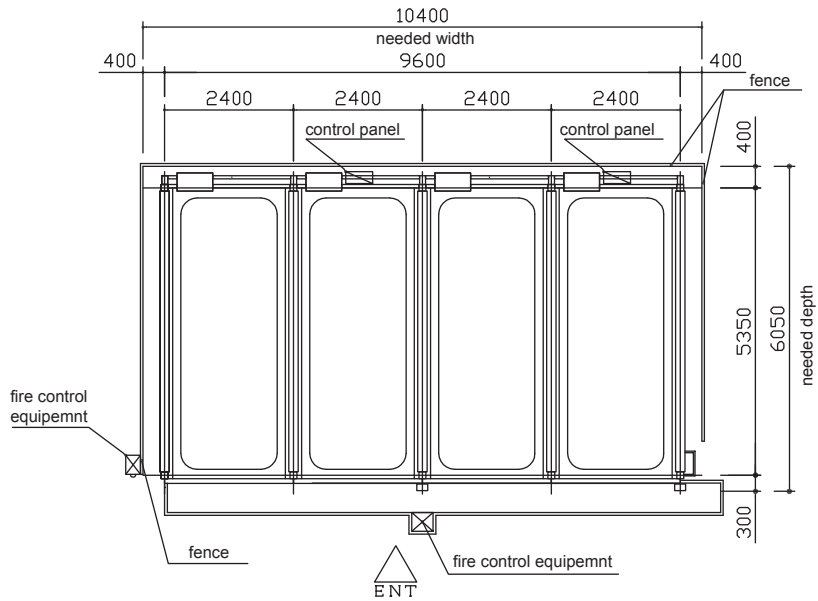
Specification	
Type	3LP-B
Max. # of cars	12
Device size	(2575 x 4 system) x 6100
Suitable car sizes	3F L5500 x W2000 x H2200
	2F L5500 x W2000 x H2200
	1F L5500 x W2000 x H2200
Live load	2200 kg
Drive	roller chain
Power supply	3-phased AC 200V 50/60 Hz
Speed	Vertical 3.2m/min. (about 47sec.)
	Horizontal 3.2 m/min. (about 47sec.)
Electric motor	Vertical 3.7kW x 4**
	Horizontal
Operation	by pushing buttons
Parking direction	back end parking
Coating	Hot-dip galvanization, except for electric machines and electronic parts

*Please note that these systems cannot accommodate certain models.
 *It is recommended to put back the door mirrors and car antennas before loading.
 *Please check the details of the installation of a fire control equipments with a local fire department.
 *Fences must be placed on the left, right, and back sides of this system in order to prevent people and other objects from being caught in it.
 *Please make sure that people are not able to reach this system, especially when it is established next to other buildings.
 *Please equip lightings if needed.
 *Please refer to the standard foundation plan for foundations, slopes, and other details.



SANKYO FRONTIER CO.,LTD.

SCALE —	TITLE Standard drawing	TYPE 3LP-B
	NAME Plane and elevation views	FILE NO.



Specifications	
Type	3LP-M
Max. # of cars	12
Suitable car sizes	3F L4900 x W1800 x H2000
	2F L4900 x W1800 x H2000
	1F L4900 x W1800 x H2000
Live load	1700 kg
Drive	roller chain
Power supply	3-phased AC 200V 50/60 Hz
Speed	Vertical 2.39m/min. (about 56sec.)
	Horizontal 2.87 m/min. (about 47sec.)
Electric motor	Vertical 2.2kW x 4**
	Horizontal
Power capacity	4.2KVA x 2 systems
Operation	by pushing buttons
Parking direction	back end parking
Coating	Hot-dip galvanization, except for electric machines and electronic parts

*Please note that these systems cannot accommodate certain models.

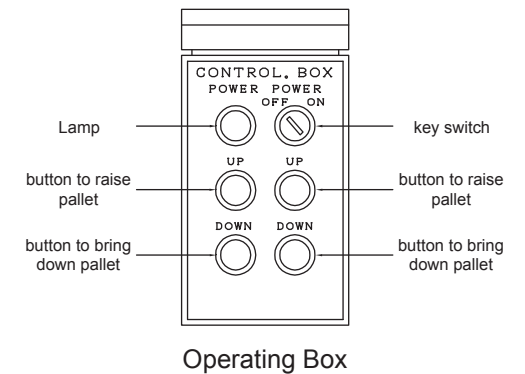
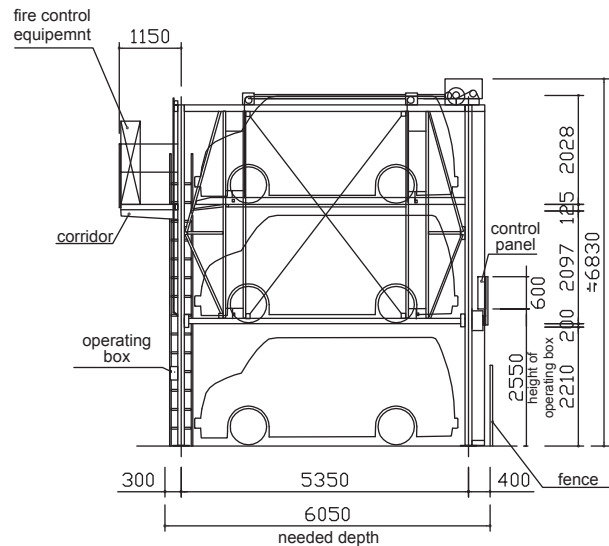
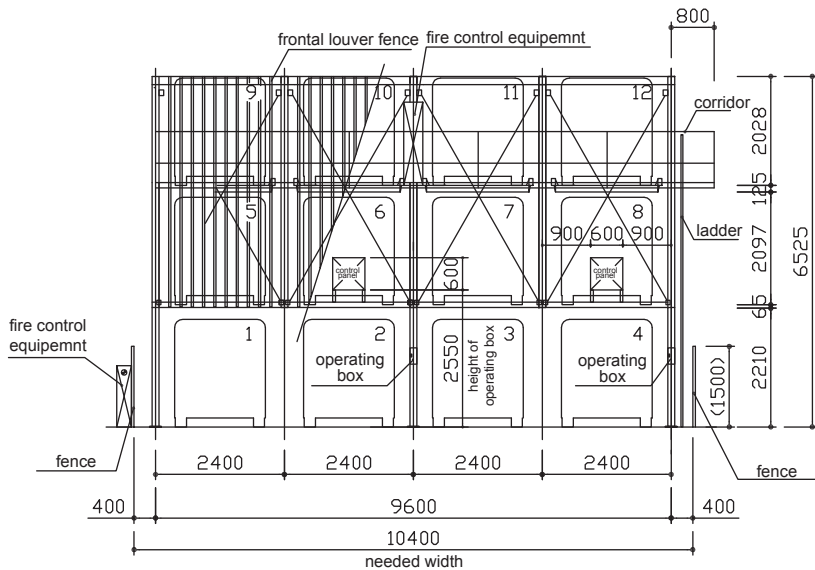
*It is recommended to put back the door mirrors and car antennas before loading.

*Please check the details of the installation of a fire control equipments with a local fire department.

*Fences must be placed on the left, right, and back sides of this system in order to prevent people from being caught in it. Please make sure that people are not able to reach this system, especially when it is established next to other buildings.

*Please equip lightings if needed.

*Please refer to the standard foundation plan for foundations, slopes, and other details.



SANKYO FRONTIER CO.,LTD.

SCALE

TITLE

Standard drawing

TYPE

3LP-M

NAME

Plane and elevation views

FILE NO