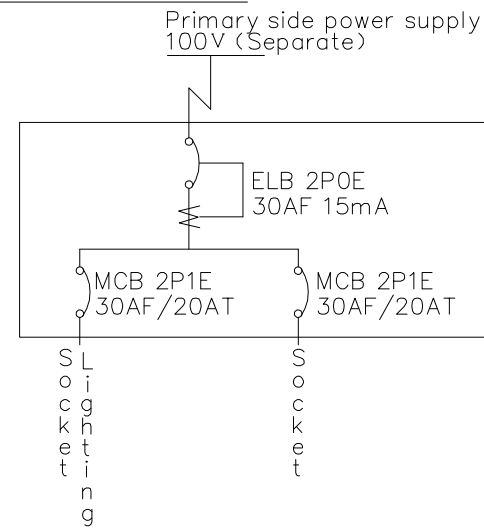


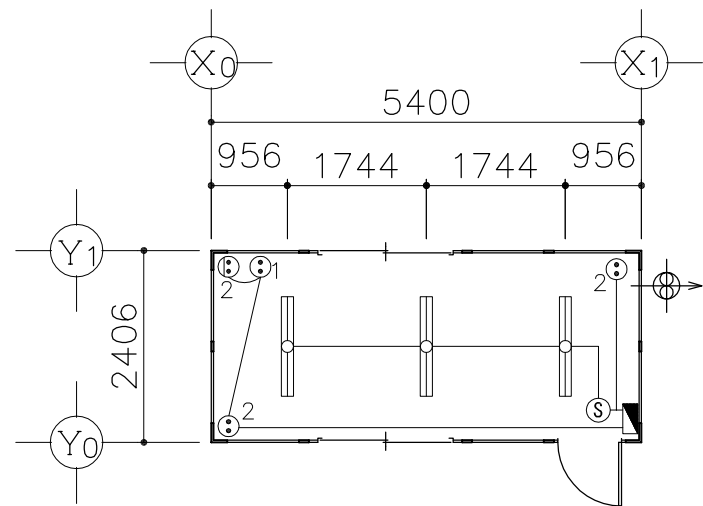
Specifications	
Size	L5400×W2406×H2650
Structure	Steel frame
Roof	Metal folded plate roof t=0.8
Ceiling	Coated plywood boards t=4 Insulator: Urethane foam
Floor	Water-resistant plywood t=12 +Floor paint finishing
Walls	Composite panels
	Exterior walls : Colored steel sheeting t=0.27
	Insulator : Styrene fome t=25 Interior walls : Colored steel sheeting t=0.27
Electricity	Lighting: 2units, each with 2 40W tubes
	Circuit breaker (30A) , Breaker (20A×2)
Fittings	Aluminum frame sliding window, Clear glass H1060×W1700
	Aluminum frame door (Flush door) H1800×W800

Distribution board

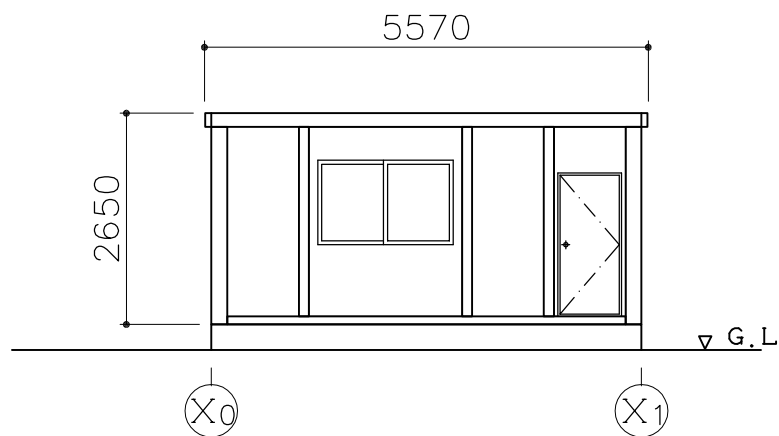


Legend

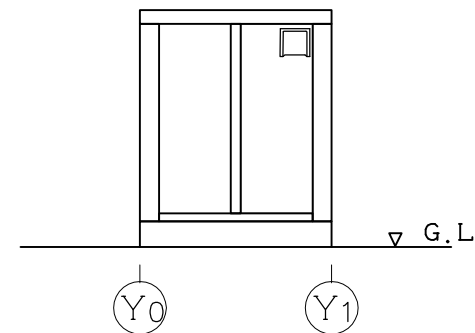
Name	Symbol	Specifications
Lighting		FL -each with 2 40w tubes(Fluorescent tube-type)
Distribution board		See separate diagram
Ceiling socket		15A×Number of sockets 125V
Wall socket		Total of two sockets up to 15A 125V
Light switch		1P 300V 10A
Extractor fan		φ200 Plug wiring • Switch off strings
Wiring code		VVF 1.6 2C
		VVF 2.0 2C



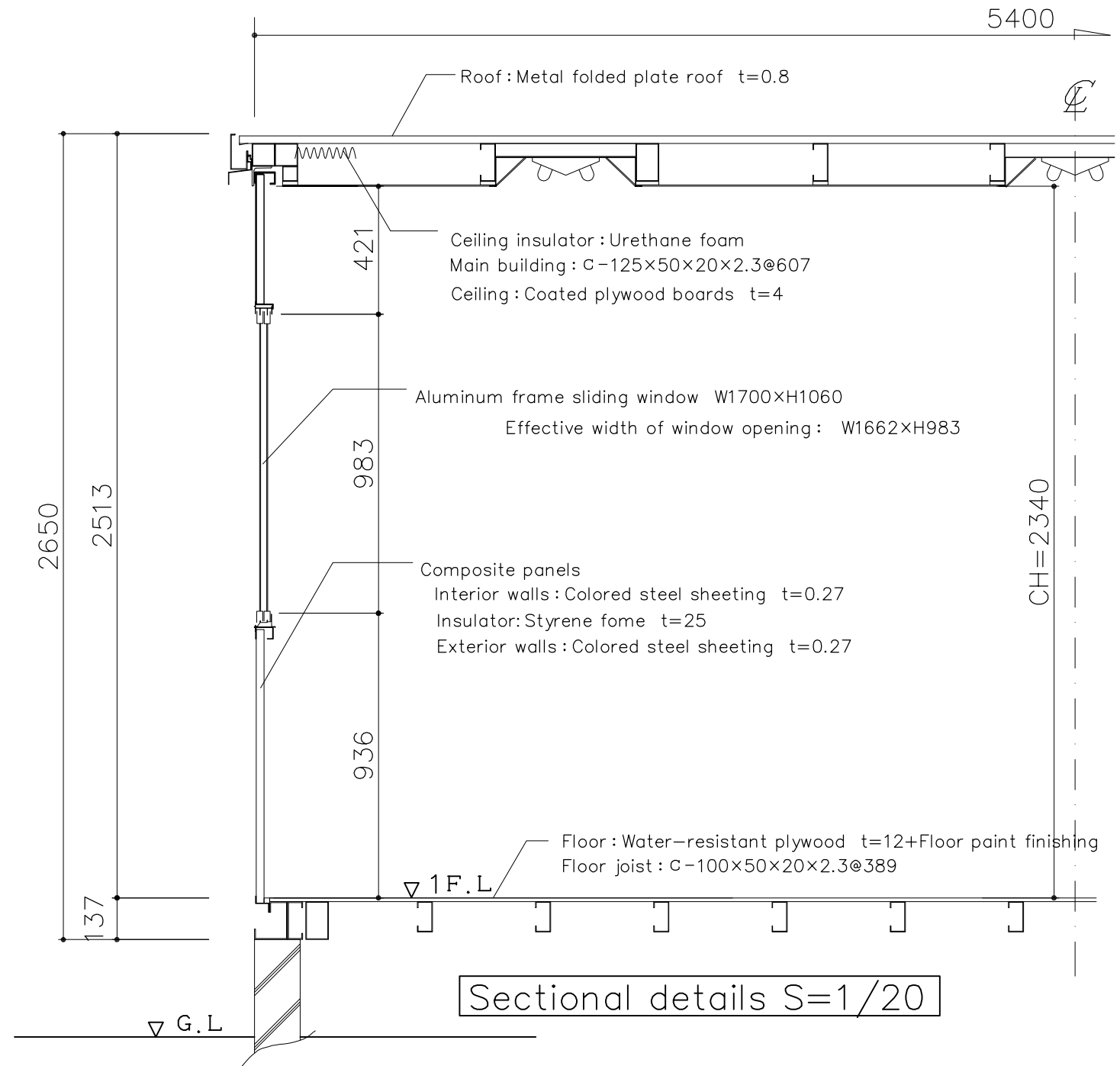
Floor plan S=1/100



Y0 Elevation S=1/100



X1 Elevation S=1/100



Sectional details S=1/20

※Measured in mm except for the specified.