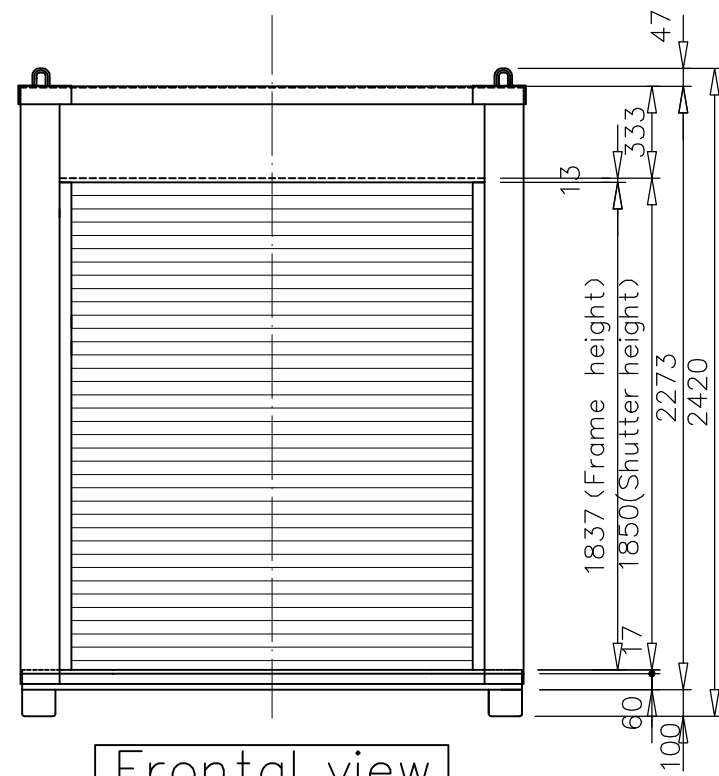
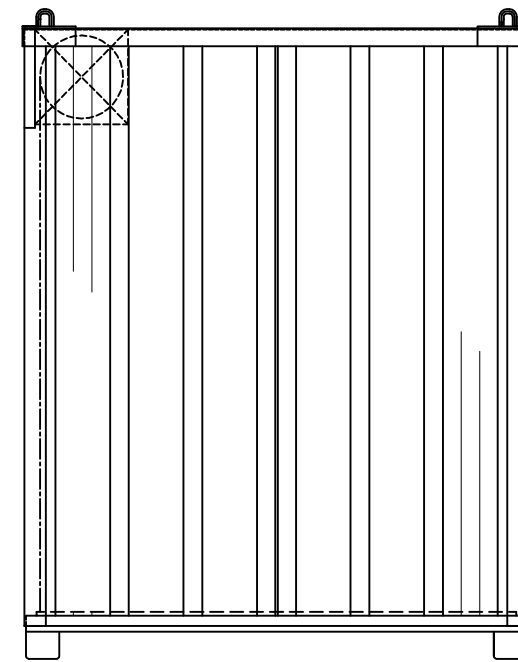


Floor Plan

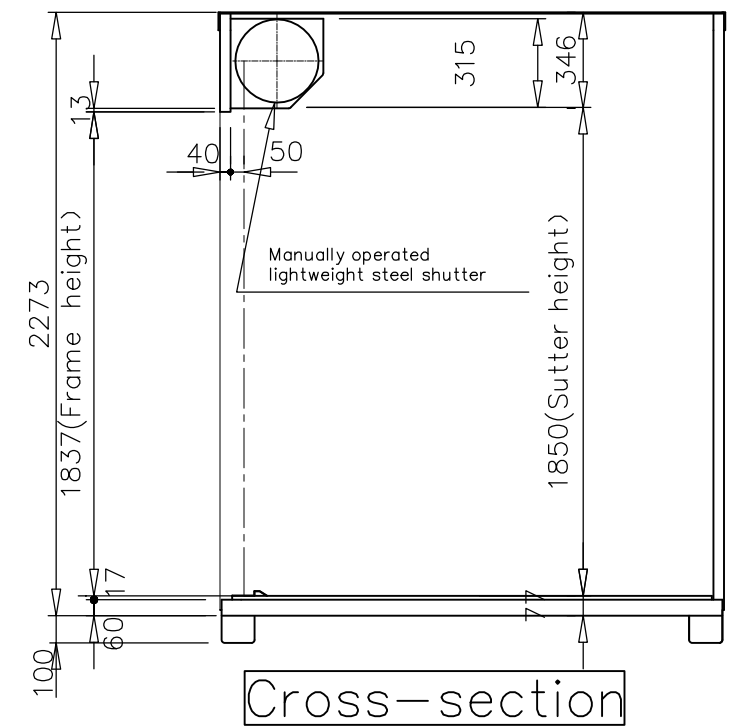
Specifications	
External dimensions	W1894×D1894×H2420 Floor area 3.43m <sup>2</sup>
Effective dimensions	L1854×W1854×H2196
Total weight	480 k g
Load-carrying capacity	300 k g /m <sup>2</sup>
Structure	Steel folded plate structure
Roof	Galvanized steel plate t=1.6. Inner steel folded plate exposed Powder paint
Walls	Inner-outer • • t=1.5 Steel folded plate Interior exposed Powder paint
Floor	Plywood t=15 outer Preservative applied Inner Urethane coating
Fittings	Lightweight steel shutter(Manual operation) t =0.8
Paint	Base • • • Dip braze coating
	Other parts • • • Powder paint



Frontal view



Side view



Cross-section

※Measured in mm except for the specified.